

4

3

2

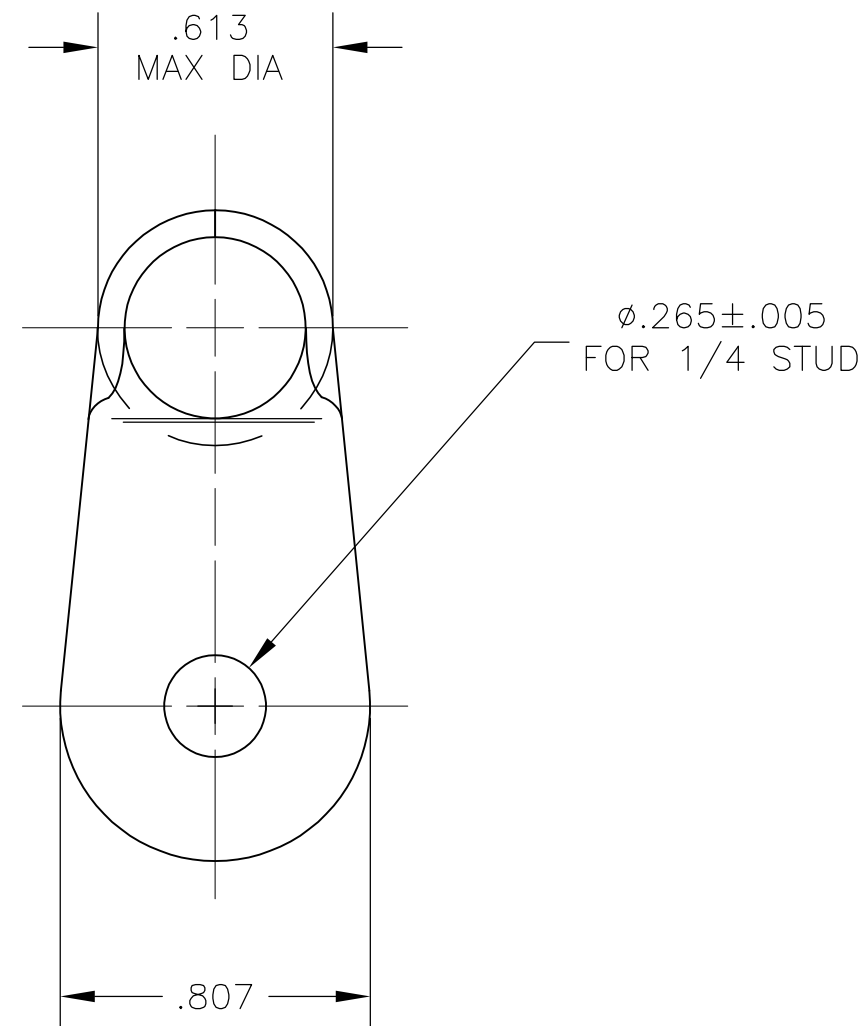
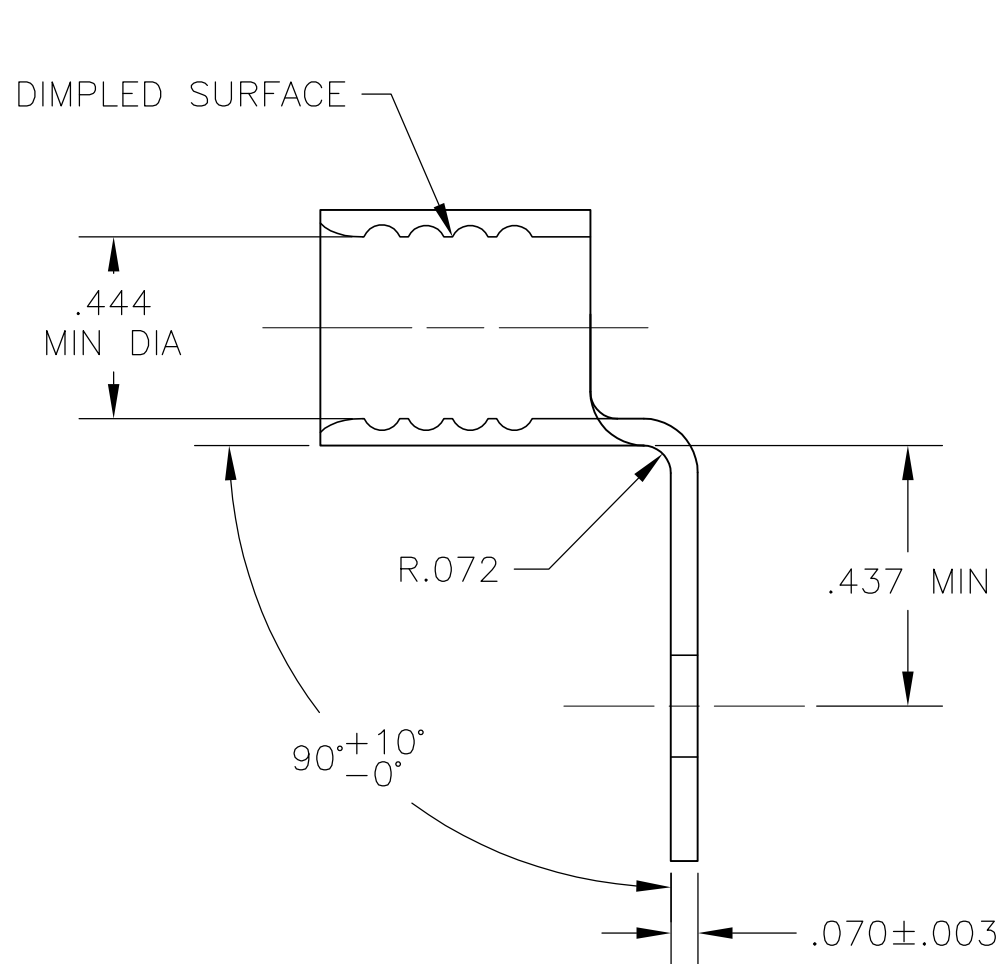
1

THIS DRAWING IS UNPUBLISHED. RELEASED FOR PUBLICATION

© COPYRIGHT BY TYCO ELECTRONICS CORPORATION. ALL RIGHTS RESERVED.

LOC	DIST	REVISIONS					
G	14	P	LTR	DESCRIPTION	DATE	DWN	APVD
		A		REL PER ECR 07-012664	30MAY07	JR	MS

- 1 COPPER PER ASTM B-152, ANNEALED
- 2 NICKEL PLATE .000300 MIN THK PER QQ-N-290



1958123-1  
PART NO

THIS DRAWING IS A CONTROLLED DOCUMENT.		DWN jr_ruth 26apr07	Tyco Electronics Corporation Harrisburg, Pa 17105-3608		
DIMENSIONS: INCHES		CHK MJ SPICER 26APR07	NAME		
TOLERANCES UNLESS OTHERWISE SPECIFIED:		APVD MJ SPICER 26APR07	WIRE TERMINAL SOLISTRAND, RING TONGUE, BENT 90 WIRE SIZE: 1/0		
<ul style="list-style-type: none"> <li>0 PLC ± -</li> <li>1 PLC ± -</li> <li>2 PLC ± -</li> <li>3 PLC ± .008</li> <li>4 PLC ± -</li> <li>ANGLES ± 5°</li> </ul>		PRODUCT SPEC	SIZE	CAGE CODE	DRAWING NO
MATERIAL		APPLICATION SPEC	A3	00779	G-1958123
FINISH		WEIGHT	RESTRICTED TO		
- 1		-	-		
- 2		CUSTOMER DRAWING		SCALE 2:1	SHEET 1 OF 1
				REV A	